

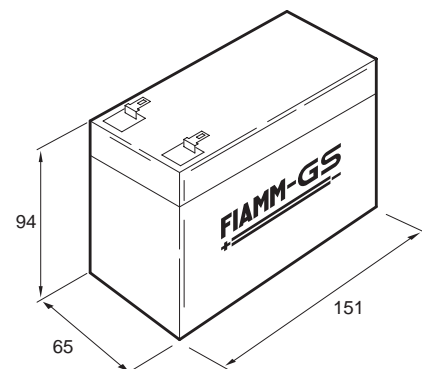
TECHNICAL DATA SHEET OF FG 20721 / FG 20722

FIAMM-GS

Performance Specification for battery type FG 20721 / FG 20722

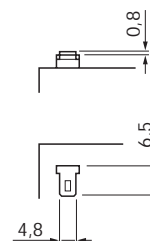
Battery dimensions (mm)

Nominal Voltage	12 Volts
Nominal Capacity	
at 20 hour rate (360 mA to 10,5 Volts)	7,2 Ah
at 10 hour rate (650 mA to 10,5 Volts)	6,5 Ah
at 5 hour rate (1,18 A to 10,2 Volts)	5,9 Ah
at 1 hour rate (4,2 A to 9,0 Volts)	4,2 Ah
Dimension (mm)	Length=151, Width=65, Height=94
Approximate weight	2,65 kg
Energy Density	93,6 Wh/l
Specific Energy	33,2 Wh/kg
Internal Resistance (Fully charged battery)	22 mΩ
Maximum discharge current in 1 minute discharge	43,2 A
Maximum discharge current in 5 seconds discharge	108 A
Recommended charging tension (temperature=20°C)	
floating use: 13,5-13,8 V	cyclic use: 14,4-15,0 V
Thermal compensation factor	
floating use: -18mV/°C	cyclic use: -30mV/°C
Maximum charging current	1,8 A
Terminals	For FG 20721: Flat lug type 4,8 mm
	For FG 20722: Flat lug type 6,3 mm
Vibration Test (2000 cycles/minute, 2,55 mm excursion, 2 hours)	No loss in capacity or performance
Shelf life - % of nominal capacity at 20°C	
1 month	97%
3 months	91%
6 months	83%
Storage temperature	-20°C to 40°C
Operative temperature Range	
Charge	0° C to 40°C
Discharge	-20°C to 50°C
Case material	Acrylonitrile-Butadiene-Styrene
	Standard Case: According to UL-94 HB
	Also Available: According to UL-94 V0
Life expectancy (Stand-by)	3 to 5 years according Eurobat standards

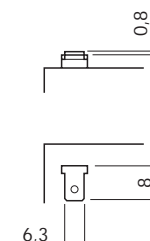


Terminal type

FG20721



FG20722



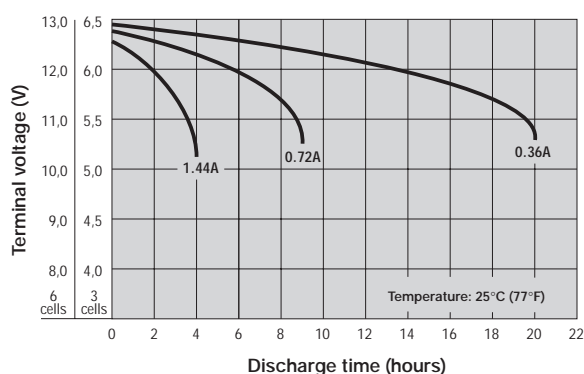
Constant Power Discharge Table (Watt)

Time	5'	10'	15'	20'	30'	45'	1h	2h	3h	5h	10h	20h
1,8V/Cell	250,4	174,0	136,4	113,4	85,9	64,0	51,5	29,6	21,1	13,6	7,3	3,9
1,75V/Cell	265,4	181,0	140,7	116,3	87,7	65,0	52,2	29,9	21,2	13,7	7,4	4,0
1,7V/Cell	281,4	188,3	145,1	119,4	89,5	66,1	52,8	30,1	21,4	13,8	7,5	4,0
1,65V/Cell	289,8	191,0	146,4	120,1	89,8	66,3	53,0	30,3	21,5	13,9	7,5	4,0
1,6V/Cell	298,3	193,8	147,7	120,9	90,2	66,5	53,2	30,4	21,6	13,9	7,5	4,0

Constant Current Discharge Table (Ampere)

Time	5'	10'	15'	20'	30'	45'	1h	2h	3h	5h	10h	20h
1,8V/Cell	23	15,6	12,1	10,0	7,5	5,6	4,4	2,5	1,80	1,16	0,63	0,36
1,75V/Cell	25	16,4	12,6	10,3	7,7	5,7	4,5	2,6	1,82	1,17	0,64	0,37
1,7V/Cell	27	17,2	13,1	10,6	7,9	5,8	4,6	2,6	1,84	1,18	0,65	0,37
1,65V/Cell	28	17,5	13,1	10,6	7,9	5,7	4,6	2,6	1,85	1,20	0,65	0,37
1,6V/Cell	29	17,8	13,2	10,7	7,8	5,7	4,6	2,6	1,86	1,21	0,66	0,38

Discharge time vs. discharge current



Discharge time vs. discharge current

